

# PELLET STOVES

## GINGER



**FORCED VENTILATION**



**NATURAL HEATING**



**WIFI BLUETOOTH**



**TOP FLUE OUTLET OPTIONAL**

### GENERAL CHARACTERISTICS

- Heating forced ventilation
- Cladding painted steel
- Top painted steel
- Stove steel
- Firebox cast iron
- Brazier steel
- Door cast iron
- Door handle painted steel, detachable
- Ceramic glass resistant up to 750°C
- Standard flue outlet position rear
- Optional flue outlet top
- Ambient probe for temperature control standard
- Programmable timer-thermostat 6 daily time frames
- Warm air outlets front upper
- Pellet level indicator yes
- Brazier cleaning intervals yes
- Glass cleaning system continuous air flow
- Module WiFi- Bluetoothfor App MYSUPERIOR standard
- Energy Saving yes
- Eco Function yes
- Night mode yes
- Combustion air kit optional
- Optional remote control optional
- Power levels 5
- Installation wall

### TECHNICAL DATA \*

- Model GINGER
- Type YP103-01
- Energy efficiency class A+
- Room heating capacity m<sup>3</sup> 120 - 200
- Nominal heat output (min - max) kW 3,5 - 7
- Thermal efficiency (min - max) % ≥ 90 - ≥ 90
- Consumption (min - max) kg/h 0,8 - 1,6
- Standard flue outlet Ø mm 80
- Hopper capacity kg 15
- Dimensions W x D x H mm 721 x 576 x 615
- Stove weight kg 150



\* Product currently being certified

TOTAL PRICE

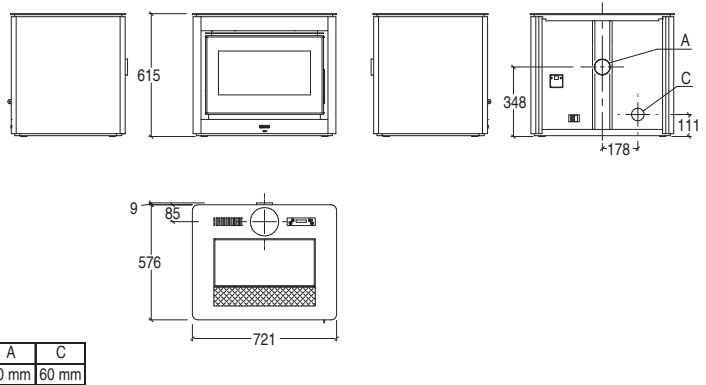
Total price including stove and painted steel cladding

**3.240,00**

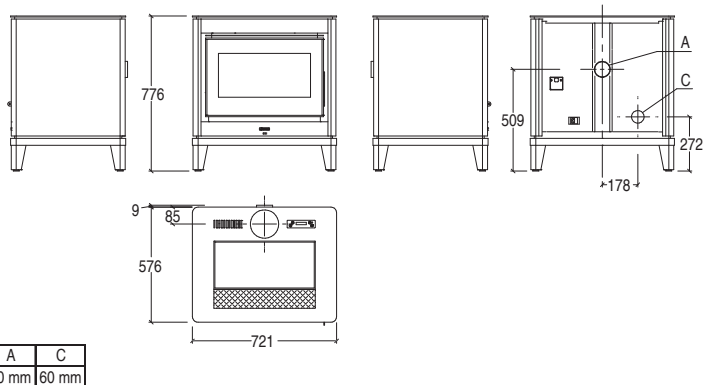
	MODEL/COLOUR	CODE	EURO
Firebox with cladding	BIANCO	S07800100C	<b>3.240,00</b>
	GRIGIO	S07800300C	<b>3.240,00</b>
	NERO	S07800200C	<b>3.240,00</b>

ACCESSORIES ON REQUEST	CODE	EURO
EASY Remote control	N08013030C	<b>80,00</b>
Combustion air kit	N08010035C	<b>95,00</b>
Top flue kit	N08011059C	<b>100,00</b>
Feet kit Nero	N08019054C	<b>540,00</b>
Feet kit with Wood finish	N08019056C	price to be defined
Flexible pipe Ø 6 cm for combustion air	N08011017	<b>19,00</b> per linear metre

### GINGER



### GINGER with Feet



All drawing dimensions in mm.