

# RITA

Forced ventilation ducted pellet stove

Size: 95x31x126



Metallic Bordeaux

Heat output: 4.1-11.2 kW



Metallic Grey

Heat output	Forced ductable ventilation
Heat output	4.1-11.2 kW
Heat volume	190-320 m <sup>3</sup>
Tank capacity	25 kg
Ermetic Monoblock	No
Monoblock	Steel
Coating	Enamelled steel
Baffle / Hearth / Brazier	Cast iron / cast iron / cast iron
Performance	90.3 %
Weight	170 Kg
Door	Cast iron
Handle	Enamelled steel openable with cold hand
Glass resistance	Resistant at 750°C
Floor	Majolica
Flue outlet	8 cm
Outlet position	Rear right - right side - top right
Outlet position	Rear left - left side



Kit for Hot Air Ducting (Optional)



Cyclical Brazier Cleaning System



Night Mode



Door Open with Detachable Handle



Humidifier (Optional)



Energy Saving



Cast Iron Firebox



Removable Ash Box

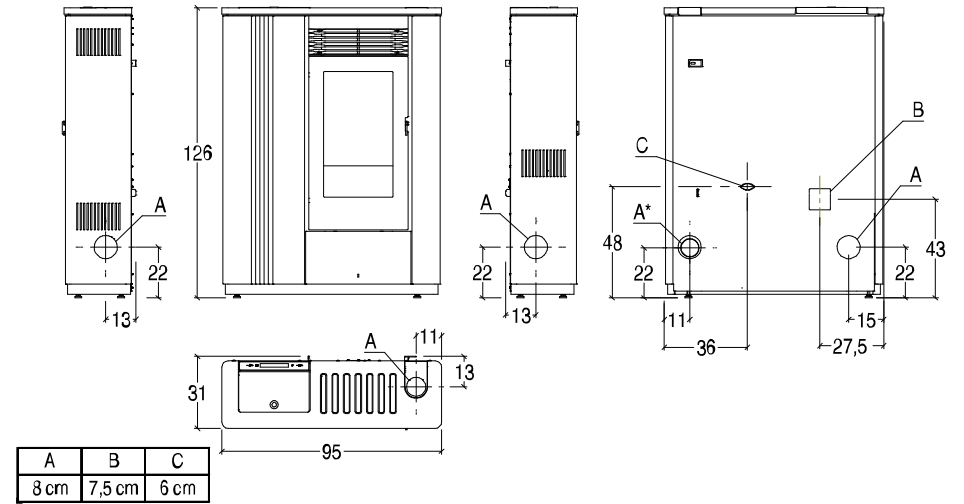


Pellet Level Sensor



(optional)

Consumption	0.9-2.5 Kg/h
Removable ash drawer	Yes
Electric Power	43 W



**A** Scarico fumi; **B** Uscita canalizzazione; **C** Condotto aria comburente.  
**A** Flue outlet; **B** Warm air outlet; **C** Combustion air inlet.

